

### Overview

Group14 Technologies USB 3.0 A and B breakout boards are designed to connect high speed lines from a USB 3.0 A or B connector to SMA jacks. Each line is length matched with controlled impedances and uses FR408 high performance dielectric. Both USB 3.0 and legacy USB 1.x and 2 lines are connected as well as VBUS power connections.

### Features

- USB 3.0, 2.0, and 1.x Compliant
- >10 Gbps signal capable: uses FR-408 Dielectric
- SMA connections to length matched high speed lines
- Rugged through hole SMA connectors
- Separate test points for VBUS
- Two boards available: USB 3.0A and USB 3.0 B
- RoHS compliant

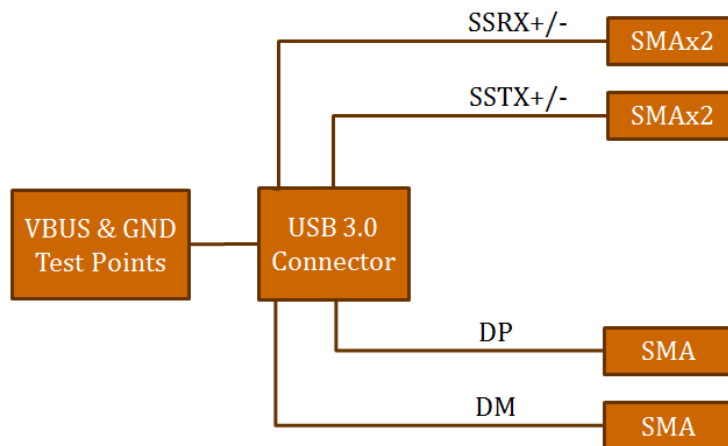


USB30A2SMA

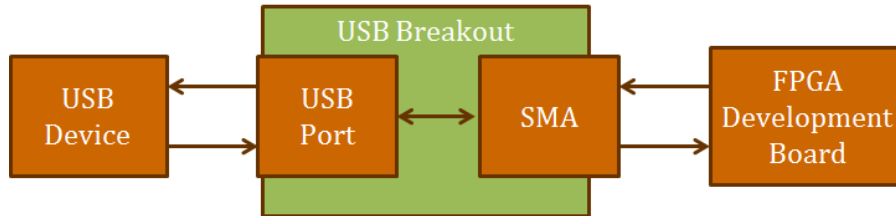


USB30B2SMA

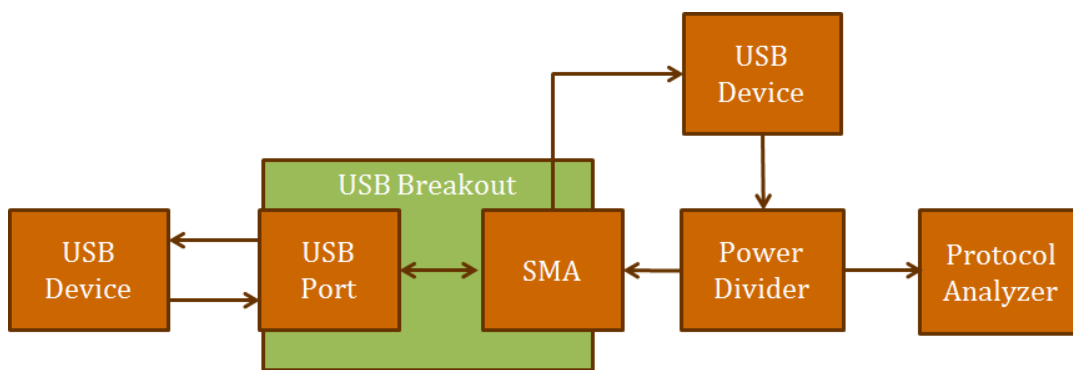
### USB 3.0 Breakout Block Diagram



### Typical Applications



Connect USB device to development hardware



Facilitate connection to analysis equipment

### Uses

- USB Protocol analysis
- Add USB port to development hardware
- USB Signal integrity evaluation

### What's In the Box

- USB 3.0 Breakout board
- Developer's CD-ROM
  - User's Guide
  - Schematics
  - Bill of materials

### Ordering & Contact Information

- USB 3.0 A Breakout part number: *USB30A2SMA*
- USB 3.0 B Breakout part number: *USB30B2SMA*
- Sales phone: (937) 985-4140
- Sales email: [contactus@group14tech.com](mailto:contactus@group14tech.com)
- Web: <http://www.group14tech.com>