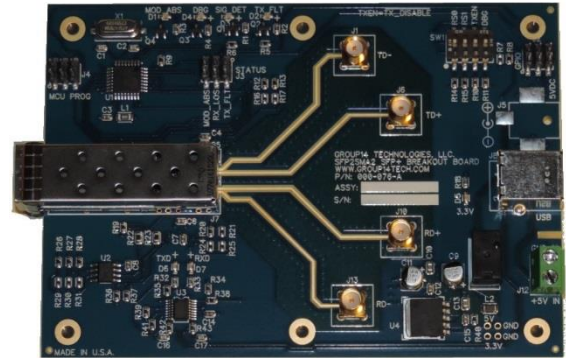
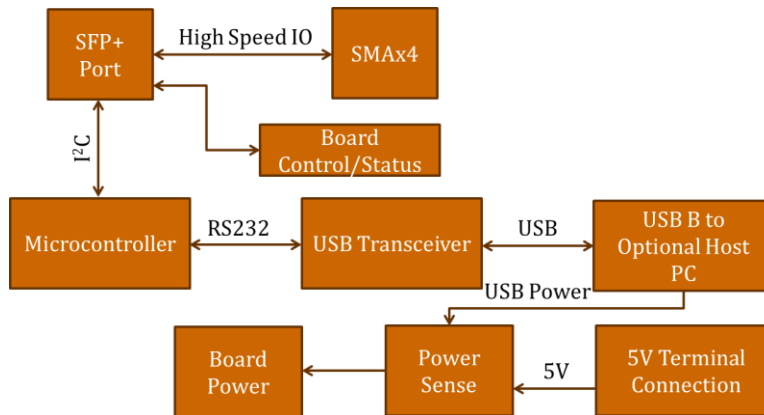


Features

- SFP & SFP+ MSA Compliant
- >10Gbps signal capable: uses Megtron6 Dielectric
- SMA connections to high speed lines
- USB control with CLI and GUI support (FTDI USB RS232 transceiver)
- Manual board level control and status
- Fully scriptable CLI
- Windows and Linux Support
- Autosensing 5V supply power or USB powered
- Current and voltage monitoring for SFP+ TX and RX power supplies
- SFF-8431 power level III compliant
- Updated version of SFP2SMA board



SFP + Breakout Block Diagram



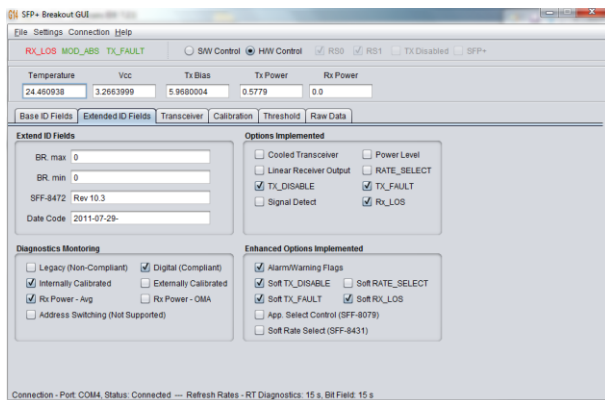
Overview

The SFP+ Breakout is an interface board designed to connect the high speed lines of an SFP or SFP+ module to SMA connectors for test and evaluation. In addition to high speed breakout, the unit can be controlled via a powerful command line interface or GUI which can control all aspects of the SFP+ module per SFF-8472 and SFF-8431. Physical switches and LED status indicators are also on board for when a PC is not convenient or available. The device may be powered via its USB connection or with a 5V supply.

Powerful Software

- Full command line control
- Real time display
- Calibration
- Thresholds
- Pin control
- Full register read/write access including dumps
- Saved configurations
- Written in Java for cross-platform usage

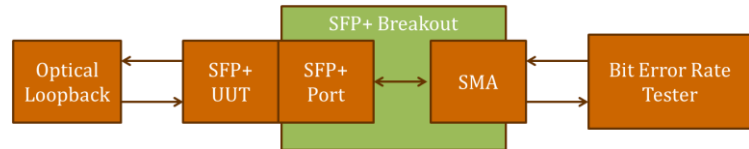
Software GUI



Uses

- SFP+ Evaluation
- Add optical interconnection to existing evaluation system
- Link evaluation
- Production testing
- Link break tests

Typical Application



What's Included

- SFP+ Breakout Board
- USB Cable
- Website Documentation
 - User's Guide
 - Schematics
 - Bill of Materials
 - GUI software and source code
 - Drivers
 - Field reprogramming software

Ordering & Contact Information

- SFP+ Breakout part number: SFP2SMA2
- Sales phone: (937) 985-4140
- Sales email: contactus@group14tech.com
- Web: <http://www.group14tech.com>